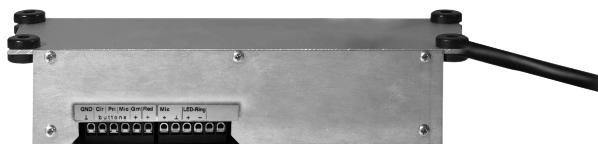




MCS 563 DIGITALLY CONTROLLED SYSTEM UNIT

Order # 470.600



FEATURES

- Shielded fully metal housing for remote installation
- Mounting holes mechanically decoupled from housing to minimise acoustic coupling
- Use as chairman's or delegate's microphone unit
- Connection for up to 3 external buttons (microphone, priority and clear)
- Connection for external LEDs such as microphone on (green) and request-to-talk (red)
- Connection for external gooseneck microphone (condenser back electret)
- Connection for illuminated ring around the gooseneck microphone or other item to show the ready-to-talk condition
- DIP-switches to address and programme the microphone unit
- Fixed connecting cable (3 m long) with 15-pin Sub-D-plug
- 15-pin Sub-D-socket for system connecting cable
- Connection for loudspeaker is possible if requested

DESCRIPTION

The MCS 563 system unit consists of a terminal board for the connection of up to three buttons; microphone, priority and clear button and two LED's for microphone on (green) and request-to-talk (red). Another terminal board is available for an external gooseneck microphone and illuminated ring or any other indication of the ready-to-talk status. The customer can select the type of external operation buttons, LED's and gooseneck microphone. beyerdynamic recommends the use of a piezo button with integrated dual colour illuminated ring. A condenser (back electret) microphone with impedance transformer for AB-powering must be used. The equalisation has been optimised for beyerdynamic microphones. If microphones from other manufacturers are used, the MCS 563 must be adjusted to compensate for these microphones.

The MCS 563 can be used as a chairman's microphone unit with three buttons or as a delegate's microphone unit with one control button. The use depends upon the system configuration with the MCS Editor software. The ready-to-talk condition of the microphone is indicated by the red illuminated ring. In the request-to-talk mode of the discussion system the microphone button is used to activate the request. Control voltages to power external LED indicators are available on the terminal board. These indicate microphone on, when released by the operator of PC or media control system. Dual colour or individual LED indicators may be used. In the request-to-talk mode of the discussion system the microphone button is used for a request to talk. If the microphone button is pressed once again the request to talk can be cleared by the delegate.

If the MCS 563 is used as a chairman's microphone unit, a priority and clear button can also be fitted. The chairman does not depend upon the limited number of open microphones (NOM). Using the priority button the chairman can intervene into the discussion and temporarily mute or clear the activated delegate microphone units depending upon the system configuration. Using the clear button all activated delegate microphone units are switched off.

Germany

Theresienstr. 8
D-74072 Heilbronn
Tel. +49 (0)71 31 / 6 17-0
Fax +49 (0)71 31 / 617-224
E-mail: info@beyerdynamic.de
Internet: www.beyerdynamic.de

United States

56 Central Ave.
Farmingdale, NY 11735
Tel. +1 (631) 293-3200
Fax +1 (631) 293-3288
E-mail: salesUSA@beyerdynamic.com
Internet: www.beyerdynamic.com

Great Britain

17 Albert Drive
Burgess Hill RH15 9TN
Tel. +44 (0)1444 / 258 258
Fax +44 (0)1444 / 258 444
E-mail: sales@beyerdynamic.co.uk
Internet: www.beyerdynamic.co.uk

ARCHITECT'S SPECIFICATIONS

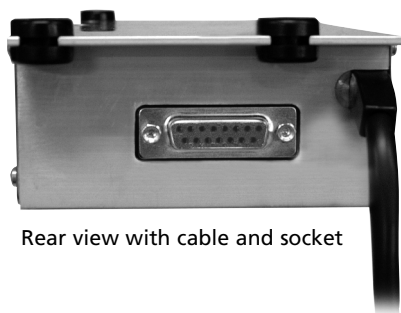
Digitally controlled system unit for the use as chairman or delegate microphone unit. 4 mounting holes for anti-vibration installation. Connection of up to three external buttons such as microphone, priority and clear is possible to terminal board as well as two external LEDs and an external condenser gooseneck microphone (back electret), external illuminated ring or other device to indicate the ready-to-talk condition. Green illuminated LED indicates switched on microphone. Red illuminated LED indicates request to talk. Programmable priority function of the chairman's microphone unit such as switching on or switching on and clearing or muting of the switched on delegate microphone units. Cardioid condenser gooseneck microphone (back electret) can be mounted through the table. Gooseneck microphone with Nextel®-coating. Total length 400 mm and diameter 8 mm. Illuminated ring to indicate the ready-to-talk condition. 15-pin Sub-D-socket. 3 m long system connecting cable with 15-pin Sub-D-plug for single cable connection. 6 DIP switches for button programming and addressing. Shielded fully metal housing.

Dimensions (WxHxD) 97 x 47 x 203 mm.

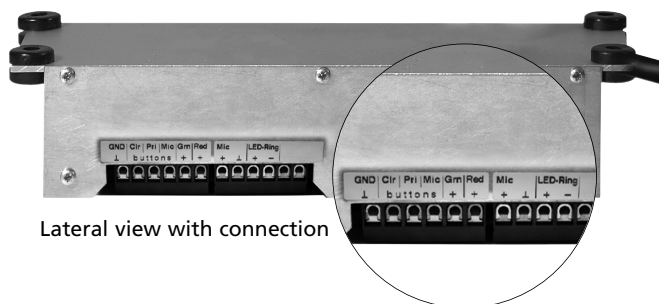
Manufacturer: beyerdynamic GmbH, Germany

Type: MCS 563

VIEWS



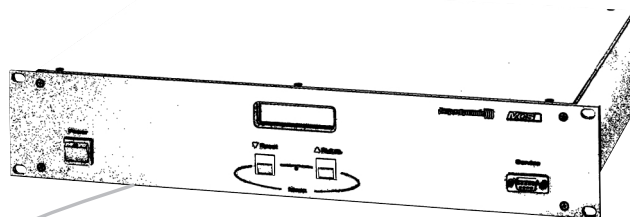
Rear view with cable and socket



Lateral view with connection

CABLING

MCS 50/32
or
MCS 50/64



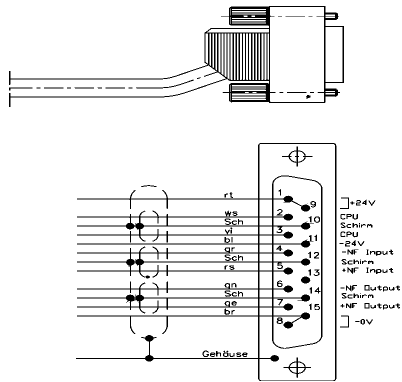
external microphone
external illuminated ring
external button: mic or clear, priority
external LED: red/green
optional:
external loudspeaker

TECHNICAL SPECIFICATIONS

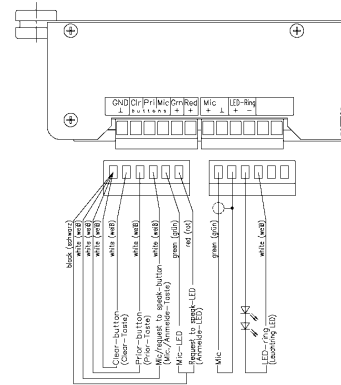
System Microphone Unit MCS 563

Power supply	+24 V via microphone line
Power consumption	max. 74 mA
AF-frequency response	80 Hz to 19,000 Hz
T.H.D.	≤ 1%
Signal-to-noise ratio with microphone	59 dB related to 1 Pa
AF-Output (+6 dB)	balanced, microphone line
Limiter	compensates variations in speaking distance, cannot be switched off
6 DIP-switches (No. 1 to 5)	Address of the microphone units (Binary code)
DIP-switch No. 6	no function
Connections	1 x 3 m long cable with 15-pin Sub-D plug, microphone line, on request the cable can be supplied individually and in special lengths, prices and more information on request 1 x 15-pin Sub-D socket, microphone line
Removable terminal board with 12 connections	for Priority button Microphone button Clear button LED indication "Microphone on" (green) 24 V / 20 mA without drop resistance LED indication "Request-to-Speak" (red) 24 V / 20 mA without drop resistance Microphone
Dimensions (without microphone)	Length: 203 mm Width: 97 mm Height: 47 mm
Weight (with connecting cable)	854 g
Ambient temperature	0° to +50°C
Optional	Piezo button with dual colour LED ring (Order # 546.658) Piezo button with "Clear" description (Order # 546.674) Piezo button with "Priority" description (Order # 546.666)

SYSTEM CONNECTION



EXTERNAL CONNECTIONS



BUTTONS

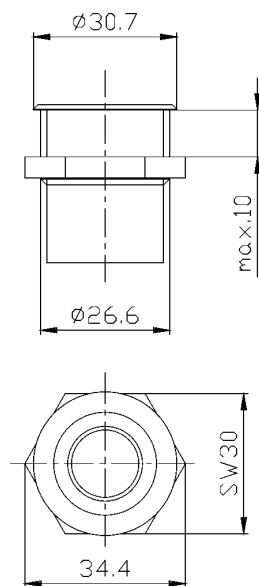


Control buttons can be selected and installed by the customer or system fitter. In addition to optical aspects functional aspects have to be taken into account when an external operation button is used. It is important that the button is mechanically quiet in operation.

beyerdynamic recommends to use a piezo button with integrated dual colour ring. In addition to this, two piezo buttons without illuminated ring with "Clear" and "Prior" description for the chairman microphone unit are recommended. Piezo buttons have no mechanical parts. Therefore, there is no self-noise or abrasion. The rugged metal housing avoids damage through rough handling and is completely sealed so that no dust, dirt or liquid can enter the housing. The buttons are easy to clean with proprietary cleansers.

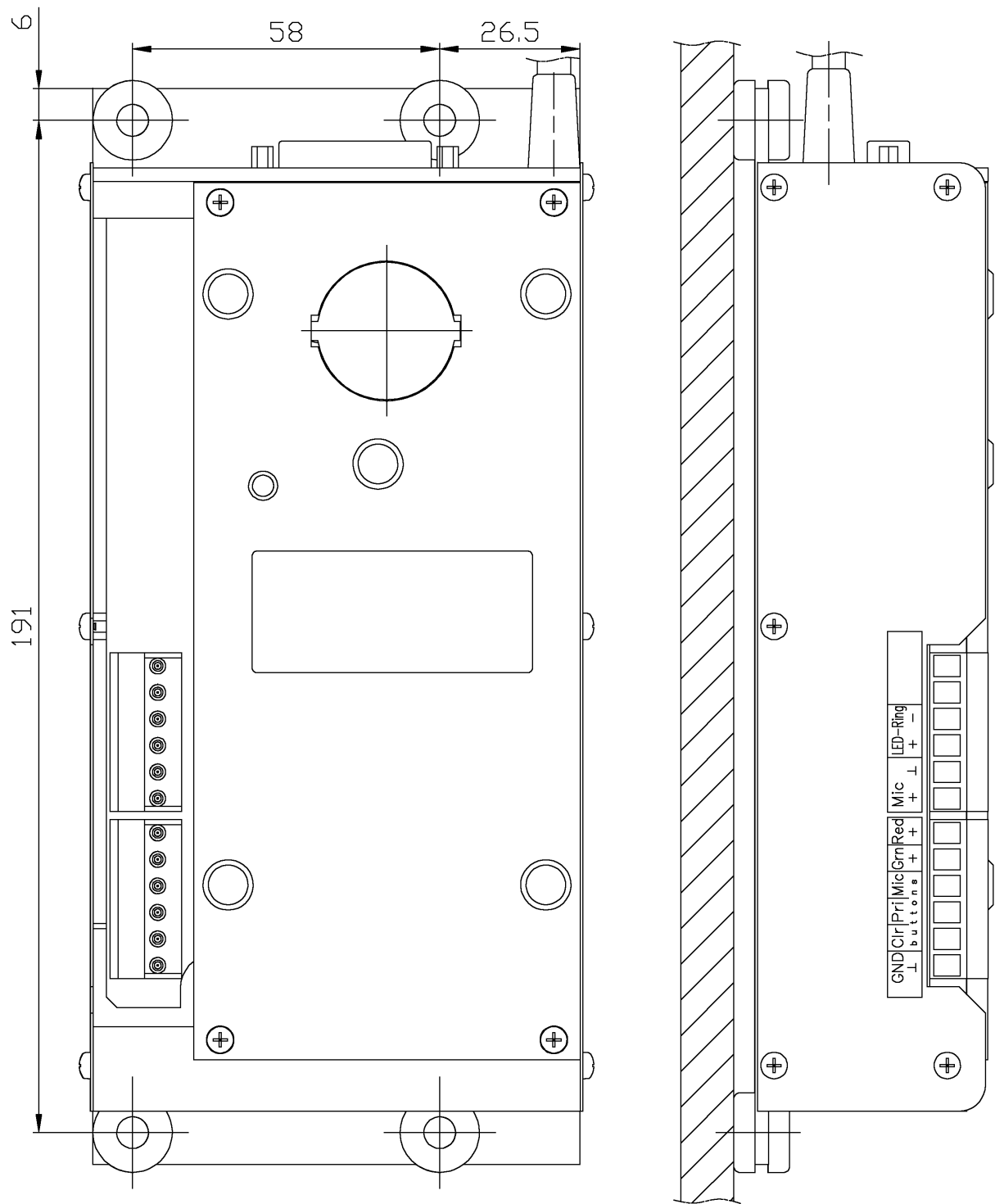
Piezo buttons must not be used for the Push-To-Talk function (PTT) of the microphone unit.

DIMENSIONS PIEZO BUTTON



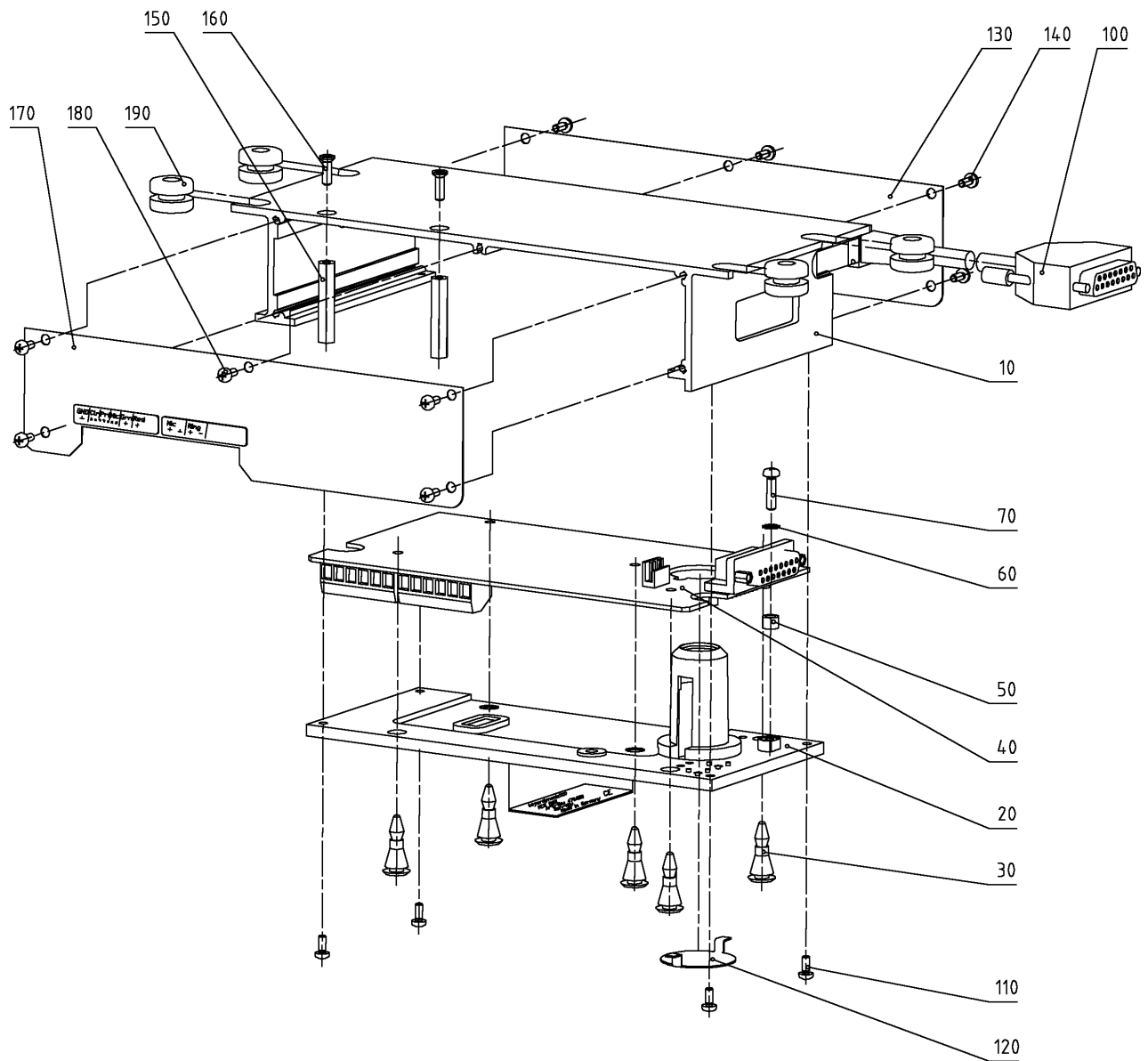
Measured in mm

DIMENSIONS CASING



Measured in mm

EXPLODED VIEW



SPARE PARTS

Illu. No.	Part No.	Drawing No.	Description
10	565.164	BN17-656/A	Housing
20	553.807	BN55-65/A	Bottom
30	551.473	6.80.096	Spacing piece
40	563.237	B24-703.10-00	MCS plate
50	539.627	5.5x1.1x4	Sleeve
60	187.135	DIN 6797-A3.2	Studded disc
70	535.001	DIN 7500-CM3x12	Oval head screw
100	553.530	B7-676.00-00	Connecting cable
110	528.862	M2.5x6 Torx	Oval head screw
120	533.815	BN54-211/A	Shielding cover
130	544.604	BN56-980/A	Plate
140	528.862	M2.5x6 Torx	Oval head screw
150	565.334	5.30.328	Spacing bolt
160	563.226	DIN 7500-MM3x8	Countersunk screw
170	565.172	BN56-980/B	Plate
180	528.862	M2.5x6 Torx	Oval head screw
190	145.874	HV 1210 PVC	Bush