

**Preliminary!**



**beyerdynamic**))))

# MCS 503 CHAIRMAN MICROPHONE UNIT

Order # 470.430



## FEATURES

- Metal plate with Nextel® finish
- Round edges for flush table mounting
- High-quality gooseneck microphone (including pop screen)
- Ring of the gooseneck illuminates to indicate the ready-to-talk status
- 3 buttons (priority, microphone, clear)
- LED to indicate microphone is switched on or off
- DIP switches for addressing and programming the microphone unit
- 15-pin Sub-D socket for the system connecting cable
- Fixed connecting cable (3 m long) with 15-pin Sub-D plug
- Place to keep pens

## DESCRIPTION

The MCS 503 chairman's microphone unit consists of one microphone button, one priority button and one clear button in the cover plate. The microphone button operates normal switching on and off of the microphone. The chairman does not depend upon the limited number of open microphones (NOM). Using the priority button the chairman can intervene into the discussion and mute or clear the activated delegate microphone units depending on the system configuration. Using the clear button all activated delegate microphone units are switched off.

The Ready-to-Talk status of the microphone is indicated by the illuminated red ring and the green LED above the microphone button. The round edges of the unit allow flush table mounting.

## ARCHITECT'S SPECIFICATIONS

Digitally controlled chairman microphone unit for mounting into a table with three buttons for switching on or off, priority and clearing. Programmable priority function like switching on only or switching on and clearing or muting the switched on delegate microphone units. LED: green indication for microphone on. Fixed condenser gooseneck microphone (back electret) with cardioid polar pattern. Total length 400 mm and diameter 8 mm. Illuminated ring below the mic capsule to indicate the Ready-to-Talk status. 15-pin Sub-D socket. 3 m long connecting cable with 15-pin Sub-D plug. DIP-switches for microphone addressing. Metal plate with charcoal-grey, non-glare Nextel® finish. Dimensions (LxWxH) 170x110x4 mm, mounting depth between 40 - 60 mm.

Manufacturer: beyerdynamic GbmH, Germany

Type: MCS 503

### Germany

Theresienstr. 8  
D-74072 Heilbronn  
Tel. +49 (0)71 31 / 6 17-0  
Fax +49 (0)71 31 / 617-224  
E-mail: info@beyerdynamic.de  
Internet: www.beyerdynamic.de

### United States

56 Central Ave.  
Farmingdale, NY 11735  
Tel. +1 (631) 293-3200  
Fax +1 (631) 293-3288  
E-mail: salesUSA@beyerdynamic.com  
Internet: www.beyerdynamic.com

### Great Britain

17 Albert Drive  
Burgess Hill RH15 9TN  
Tel. +44 (0)1444 / 258 258  
Fax +44 (0)1444 / 258 444  
E-mail: sales@beyerdynamic.co.uk  
Internet: www.beyerdynamic.co.uk

# TECHNICAL SPECIFICATIONS

---

## MCS 503 Chairman Microphone Unit

Power supply	+24 V via microphone line
Power consumption	max. 84 mA
AF-frequency response	80 Hz to 19,000 Hz
T.H.D.	≤ 1%
Signal-to-noise ratio with microphone	≥ 59 dB related to 1 Pa
AF-Output (+6 dB)	balanced, microphone line
Limiter	compensates variations in speaking distance, cannot be switched off
Microphone	SHM 214 CO 2 gooseneck microphone with illuminated ring, fixed
3 buttons	1. Priority button 2. Microphone button 3. Clear button
1 DIP-switch (No. 6)	no function
5 DIP-switches (No. 1 to 5)	Address of the microphone units (Binary code)
Connections	1 x 3 m long cable with 15-pin Sub-D plug, microphone line, on request the cable can be supplied individually and in special lengths 1 x 15-pin Sub-D socket, microphone line
Dimensions (without microphone)	Length: 170 mm Width: 110 mm Height: 4 mm (front panel); total: 30 mm
Weight (without microphone)	930 g
Ambient temperature	0° to +50°C
Colour	Nextel®, stone grey

### Microphone

Transducer type	Condenser (back electret)
Operating principle	Pressure gradient
Polar pattern	Cardioid
Max. SPL	120 dB

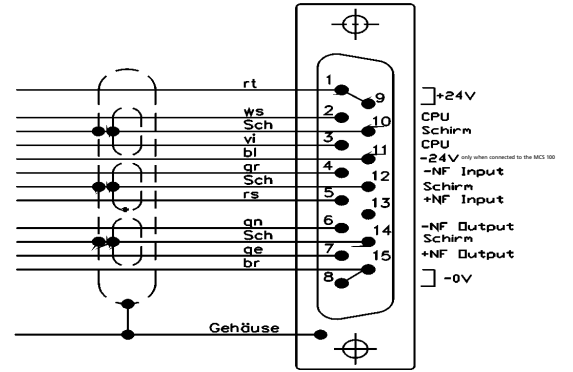
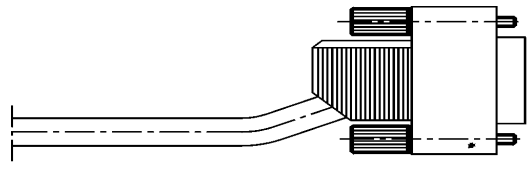
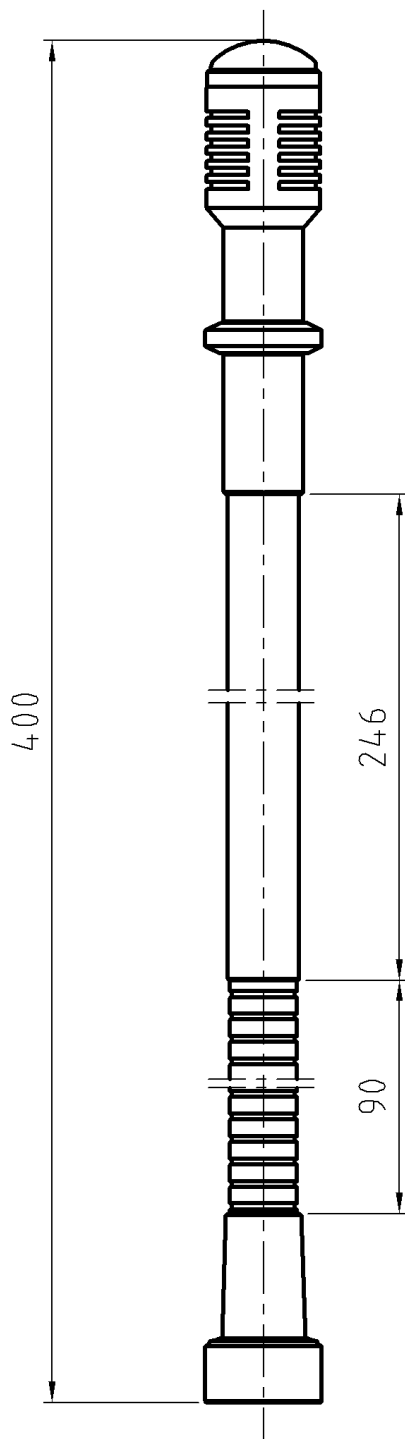
### Dimensions

Length	400 mm
Head diameter	13.5 mm
Gooseneck diameter	8 mm

The microphone units can be manufactured in special colours and the gooseneck microphone in different lengths and versions. Delivery period, price and more information available upon request.

# SHM 214 C 02 MICROPHONE

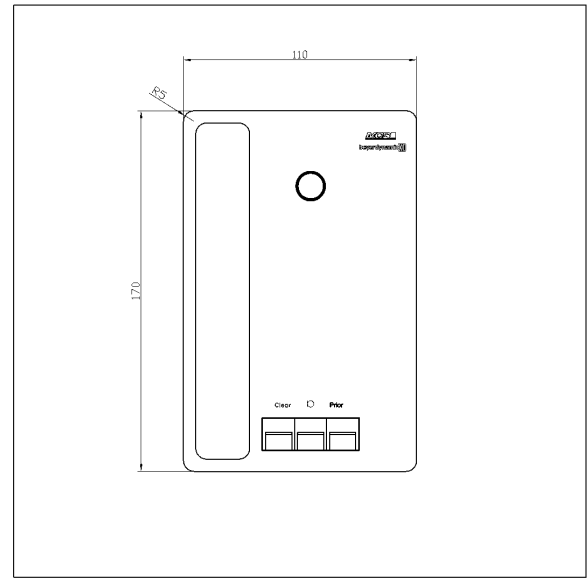
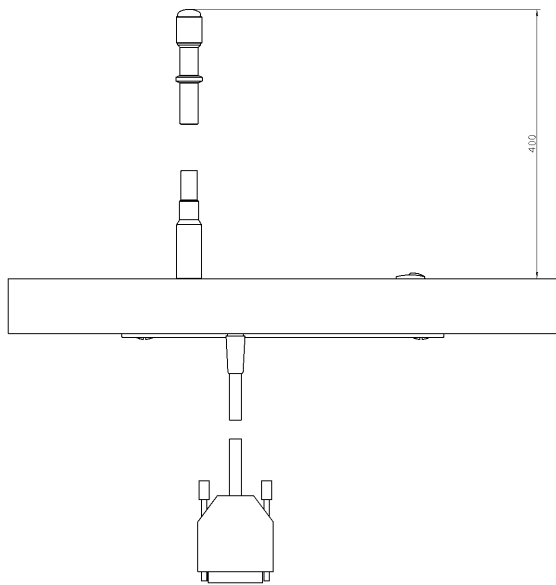
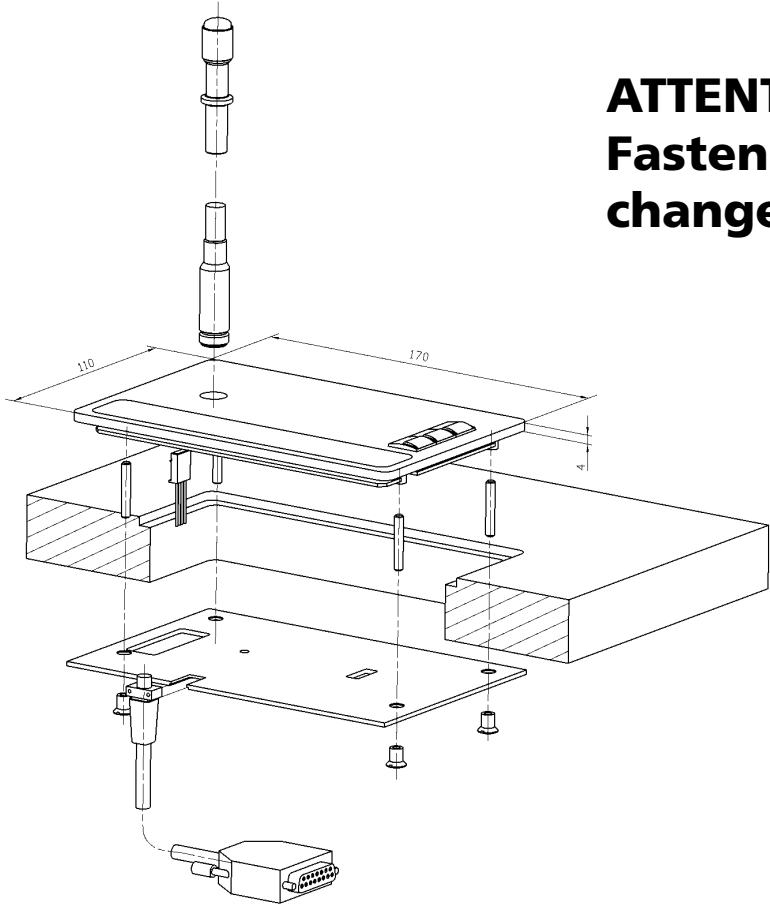
# SYSTEM CONNECTION



Measured in mm

# DIMENSIONS MICROPHONE UNIT

**ATTENTION:  
Fastening will be  
changed!**



Measured in mm

**ATTENTION:  
Fastening will be  
changed!**

